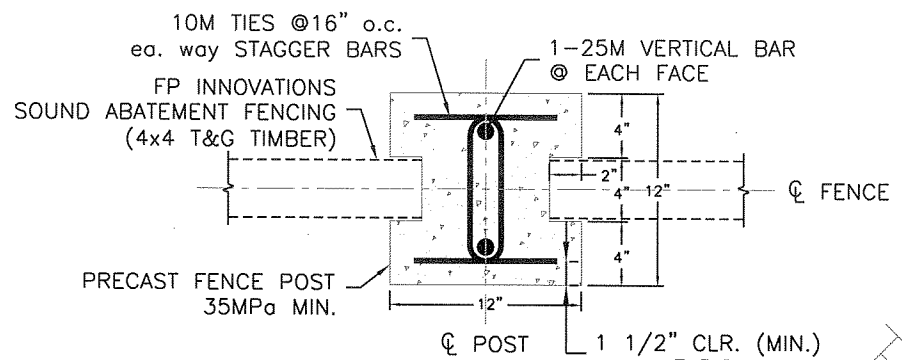
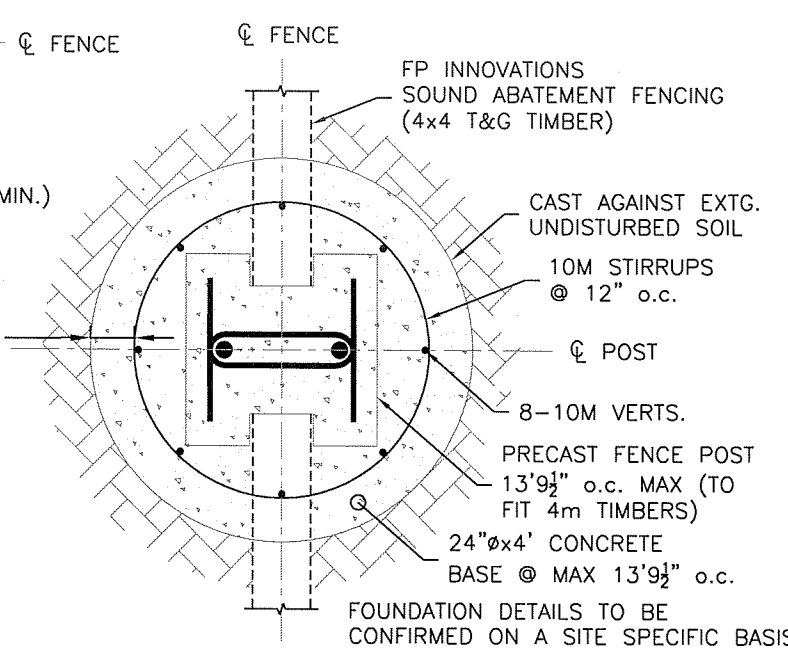


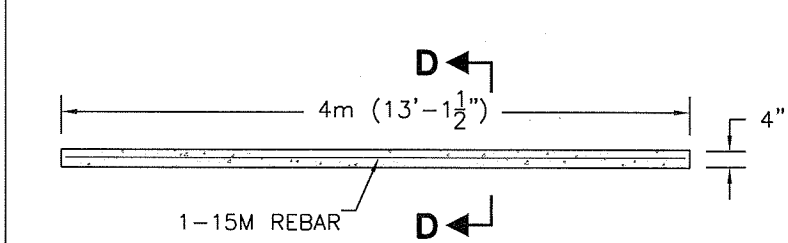
TYPICAL FENCE LAYOUT
SCALE 1/4"=10"



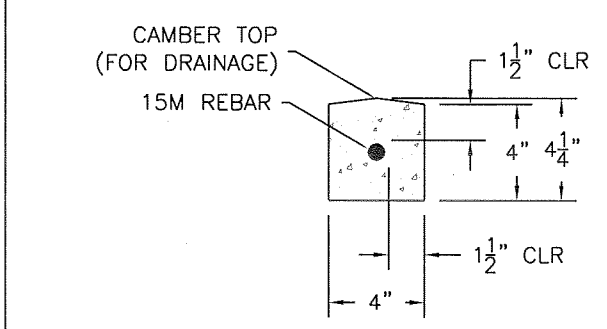
SECTION A-A
TYPICAL FENCE POST DETAIL
SCALE 1"=10"



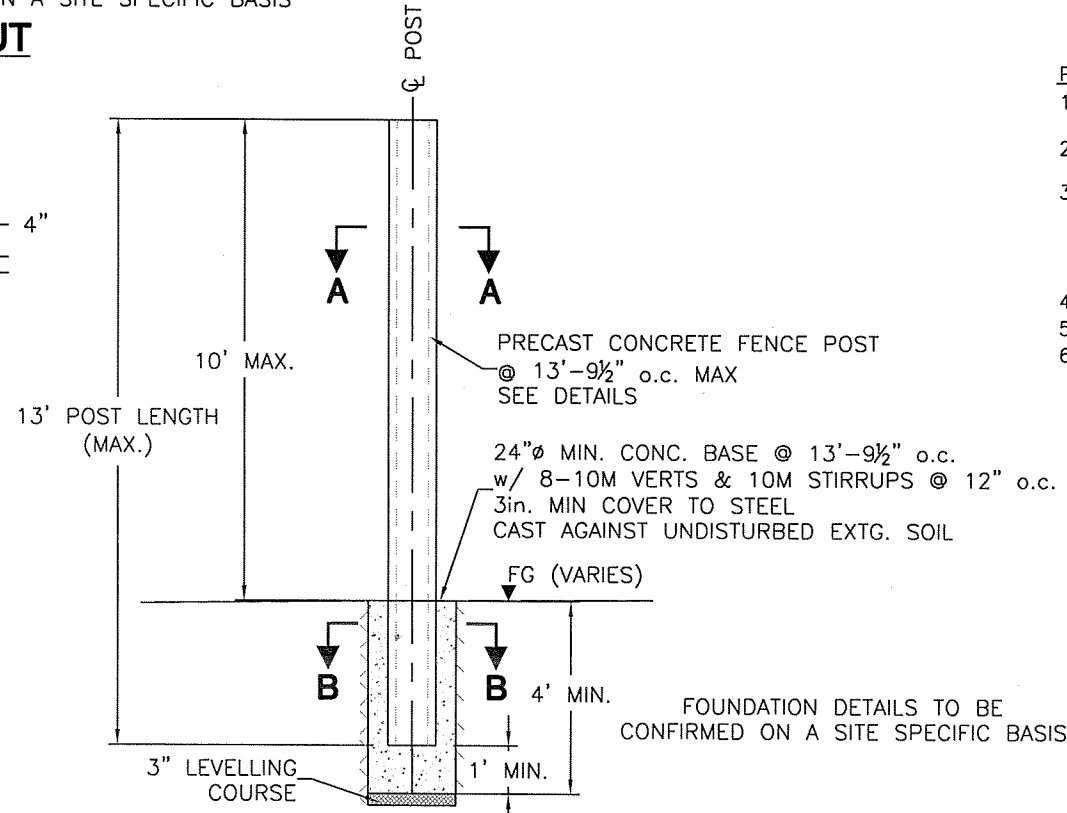
SECTION B-B
TYPICAL BASE DETAIL
SCALE 1"=10"



BOTTOM RAIL - PLAN
SCALE 1/4"=10"



SECTION D-D
BOTTOM RAIL - SECTION
SCALE 1.5"=1'



SECTION C-C
TYPICAL FENCE LAYOUT
SCALE 1/4"=10"

POST AND FOUNDATION NOTES

1. ALL CONCRETE AND GROUT SHALL HAVE A MINIMUM COMPRESSIVE STRENGTH OF 35MPa AT 28 DAYS, U.N.O.
2. ALL REINFORCING STEEL SHALL CONFORM TO CAN/CSA G30.18-M92, GRADE 400R.
3. DESIGN HORIZONTAL WIND LOAD, AS PER CANADIAN HIGHWAY BRIDGE DESIGN CODE CSA-S6-06
 $q_{25} = 675P_a$
 $C_e = 1.0 \quad C_p = 1.0 \quad C_g = 2.5 \quad I_w = 1.0$
4. DESIGN POST SPACING = 13'9.5" (4.20m)
5. ASSUMED ALLOWABLE BEARING CAPACITY OF SOIL = 2000psf (96kPa)
6. SOIL CONDITIONS TO BE CONFIRMED FOR EACH UNIQUE SITE LOCATION

NOTE:-- ALL CONSTRUCTION OR MATERIALS SHALL BE IN ACCORDANCE WITH THE AUTHORITY HAVING JURISDICTION CONSTRUCTION SPECIFICATIONS AND STANDARD DRAWINGS, AND THE CURRENT BC BUILDING CODE.
 - THE PERSON(S) CONSTRUCTING THE WORKS AS SHOWN ON THESE PLANS SHALL BE FAMILIAR WITH THE SPECIFICATIONS AND SITE CONDITIONS.
 - ANY MODIFICATIONS DURING CONSTRUCTION THAT DEVIATE FROM THE SPECIFICATIONS OR APPROVED CONSTRUCTION PLANS SHALL BE APPROVED BY THE ENGINEER AND THEN BY THE AUTHORITY HAVING JURISDICTION.

- NOTES:**
1. ALL CONCRETE 35 MPa. MIN U.N.O.
 2. FOOTINGS TO REST ON COMPACT UNDISTURBED, UNFROZEN NATIVE SOIL, ROCK OR COMPACTED GRANULAR FILL.
 3. ALL FOOTINGS TO EXTEND TO A MIN 4'-0" BELOW FINISHED GRADE FOR FROST COVER. (TO BE SITE CONFIRMED)
 4. FOOTING & WALL FORMS AND REINFORCING TO BE INSPECTED BY ENGINEER PRIOR TO PLACING CONCRETE.
 5. TOLERANCE FOR STEEL PLACEMENT $\pm 8mm$.
 6. FOUNDATION DESIGN IS TENTATIVE AND SUBJECT TO AN INSPECTION OF THE EXCAVATION.
 7. SUBMIT SHOP DRAWINGS TO ENGINEER FOR ALL MANUFACTURED COMPONENTS PRIOR TO CONSTRUCTION.

1	02/07/12	SJR	KAD	PRELIMINARY
NO.	DATE M/D/Y	DR'N	AP'D	DESCRIPTION

ISSUES/REVISIONS

SEAL:

CLIENT:
PACIFIC FENCE-CRETE

PROJECT NAME:
FP INNOVATIONS SOUND ABATEMENT FENCE BC MOTI

DRAWING TITLE:
SOUND ABATEMENT FENCE - DETAILS

SCALE: AS SHOWN

DATE: FEBRUARY 07, 2012

DESIGN BY: SJR

DRAWN BY: SJR

CHECKED BY: KAD

PROJECT No.: PE-11-226-PFC

DRAWING No.:	SHEET 01 OF 01
01	REVISION 01